

Technical specifications

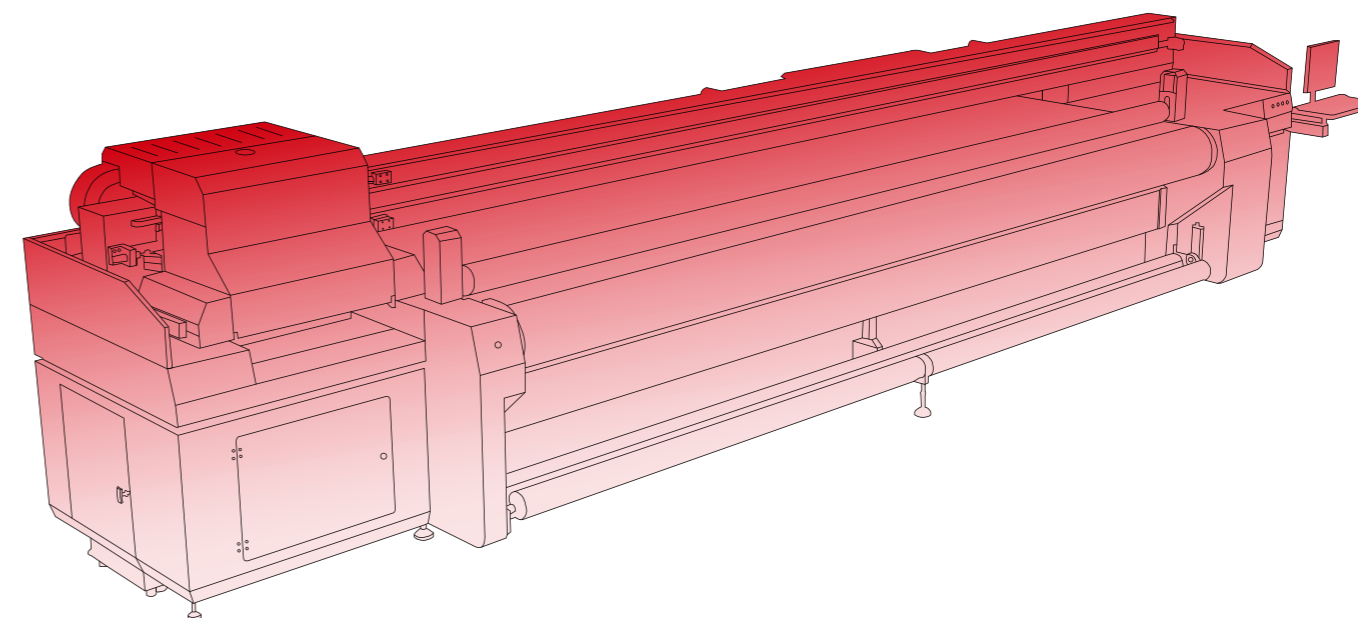
Model	HT5200UV		
Printhead	Kyocera Industrial-grade Grayscale Printhead		
Quantity of printhead	2-15 pcs (3-row)		
Resolution	605x1800dpi, 363x3600dpi		
Print speed	Draft	309 m ² /h(symmetrical 3-row)	197 m ² /h(ordinary 3-row)
	Production	228 m ² /h(symmetrical 3-row)	165 m ² /h(ordinary 3-row)
	Quality	152 m ² /h(symmetrical 3-row)	114 m ² /h(ordinary 3-row)
Print mode	Bidirectional, high speed		
Max print width	5200mm		
Max media thickness	30mm		
Media type	Soft films, car stickers, coated banners,PVC boards, KT boards etc.		
Ink type	Environmental friendly UV (VOC free)		
Ink color	C、M、Y、K、Lc、Lm、W		
Machine size(L*W*H)	8060x2090x1770mm		
Packaging size(L*W*H)	8350x2270x2155mm		
Net weight	4200Kg		
Gross weight	5400Kg		
Power	13kW (60A)		
Power supply	220VAC 50HZ 1P/N/PE		
RIP software	Caldera		
UV curing	UV-LED lamp		
Data transmission	High-speed PCIE		
Environment	Separated workroom in good cleaning and ventilated condition, avoid direct sunlight; Temperature: 18°C~30°C (64°F-86°F) ; Constant humidity: 30%-70% (non-condensing)		

HT5200UV Hybrid Printer

Max printing width: 5200mm

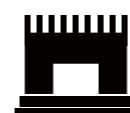
Max productivity: 309m²/h

Max resolution: 363x3600dpi



An industrial digital printing solutions provider

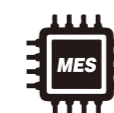
Independent
printhead-drive
technology



Self-developed
control system



Self-developed
MES system



Independent ink
industrial chain



Global
service system



© Above information for reference and subject to change without notice. Shenzhen HANDTOP Tech Co., Ltd all rights reserved.



Shenzhen HANDTOP Tech Co., Ltd

Add: No. 322 Yuanhu Road, Longgang District, Shenzhen, Guangdong (3rd plant area)

Tel: +86 0755-27960460 Website: <http://www.hanglorygroup.com>

Fax: +86 0755-23217841 Email: info-handtop@hanglorygroup.com

Highlights

Large format printing of 5.2m with broad applications

Max print width up to 5200mm for more choices

Support single roll, two rolls and three rolls printing

Support various coils printing including coated banner and soft film, also sheets printing including PVC and KT board (under 30mm)

Productivity up to 309 m²/h for higher stability and efficiency

7*24 hours production

Multi modules promotion for higher efficiency and quality



Resolution up to 363x3600dpi for higher printing quality

Greyscale inkjet technology

A top-level R&D team with 20 years of industry

A full set of solutions and color modes for flexible business development

Various color combinations are optional

Over 10 types of white ink solutions are optional



5200mm



363x3600dpi



309m²/h



business development